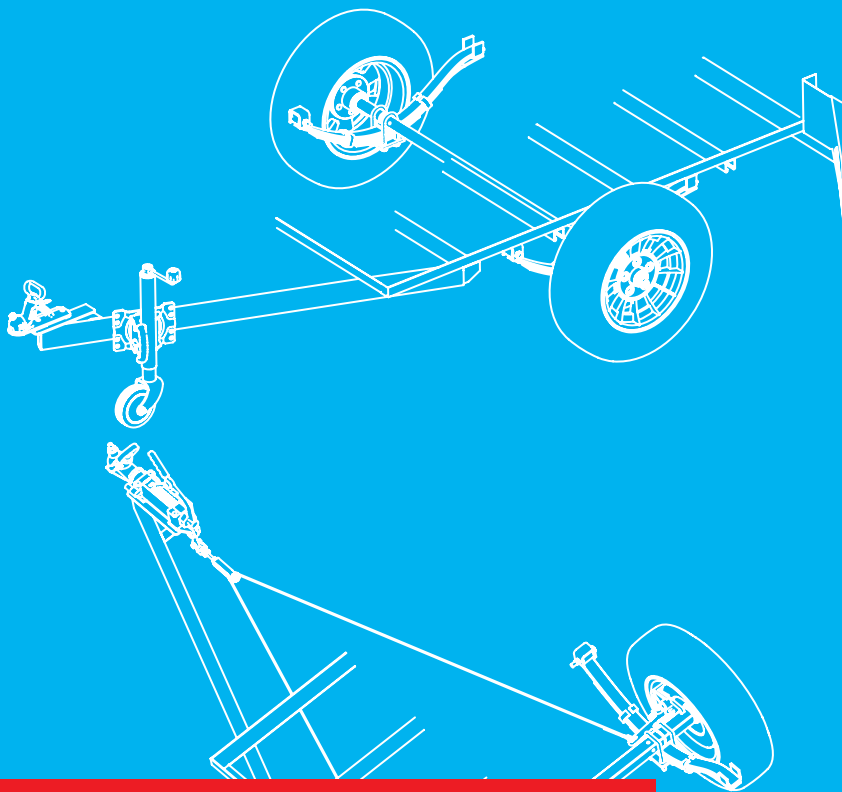
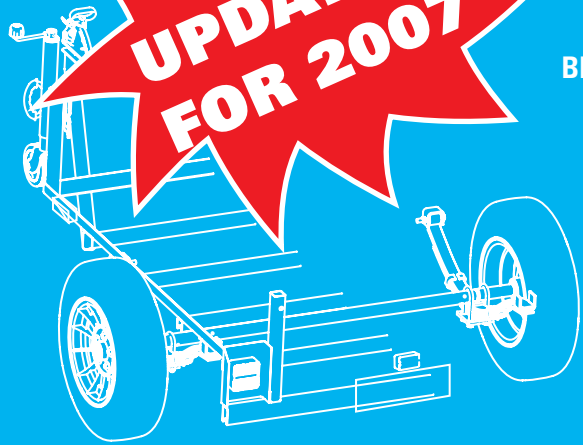




# TRAILER PRODUCTS

**UPDATED  
FOR 2007**



**WHEN BUILDING OR MODIFYING YOUR TRAILER  
PLEASE REFER TO THE NATIONAL CODE OF PRACTICE**

<http://www.dotars.gov.au/transport/safety/road/bulletin/vsb1index.aspx>

**PLEASE NOTE  
ALL TRAILERS OVER 0.75 TONNE (750KG)  
REQUIRE A SEPARATE BRAKING SYSTEM  
REFER TO SECTIONS 2, 3, 4, 4, 5, 6 & 7**

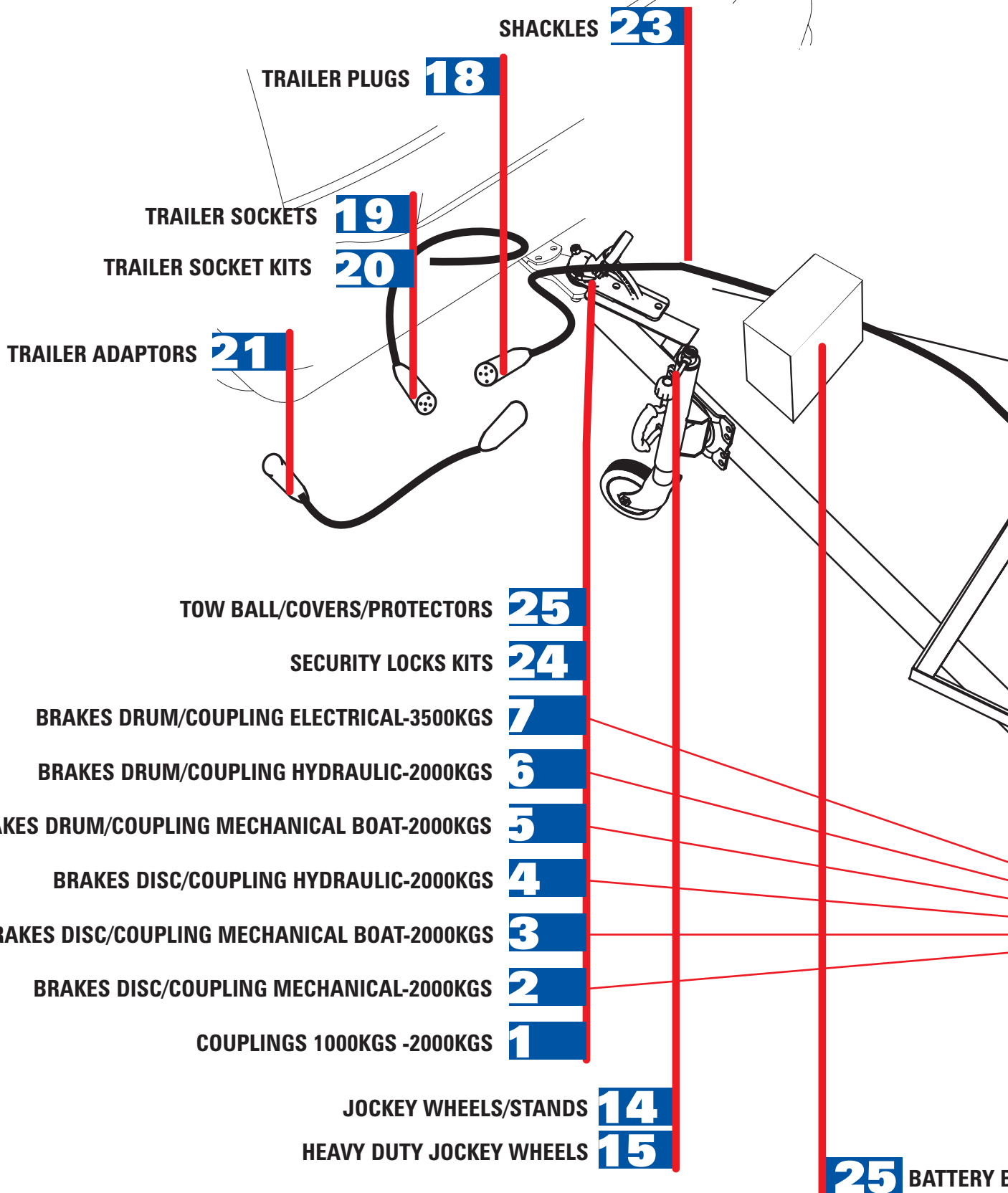
COUPLINGS 1000KGS -2000KGS	<b>1</b>
BRAKES DISC/COUPLING MECHANICAL-2000KGS	<b>2</b>
BRAKES DISC//COUPLING MECHANICAL BOAT-2000KGS	<b>3</b>
BRAKES DISC/COUPLING HYDRAULIC-2000KGS	<b>4</b>
BRAKES DRUM/COUPLING MECHANICAL-2000KGS	<b>5</b>
BRAKES DRUM/COUPLING HYDRAULIC-2000KGS	<b>6</b>
BRAKES DRUM/COUPLING ELECTRICAL-3500KGS	<b>7</b>
STANDARD HUBS	<b>8</b>
DISC HUBS	<b>9</b>
HUB ACCESSORIES & SPARES	<b>10</b>
AXLES	<b>11</b>
SUSPENSION	<b>12</b>
TRAILER GATE ACCESSORIES	<b>13</b>
JOCKEY WHEELS/STANDS	<b>14</b>
HEAVY DUTY JOCKEY WHEELS	<b>15</b>
ELECTRICAL	<b>16</b>
TRAILER LAMPS	<b>17</b>
TRAILER PLUGS	<b>18</b>
TRAILER SOCKETS	<b>19</b>
TRAILER SOCKETS KITS	<b>20</b>
TRAILER ADAPTORS	<b>21</b>
BOAT LOADING/EZIGUIDES	<b>22</b>
SHACKLES	<b>23</b>
SECURITY LOCKS KITS	<b>24</b>
TOW BALL/COVERS/PROTECTORS	<b>25</b>
BATTERY BOXES	<b>26</b>

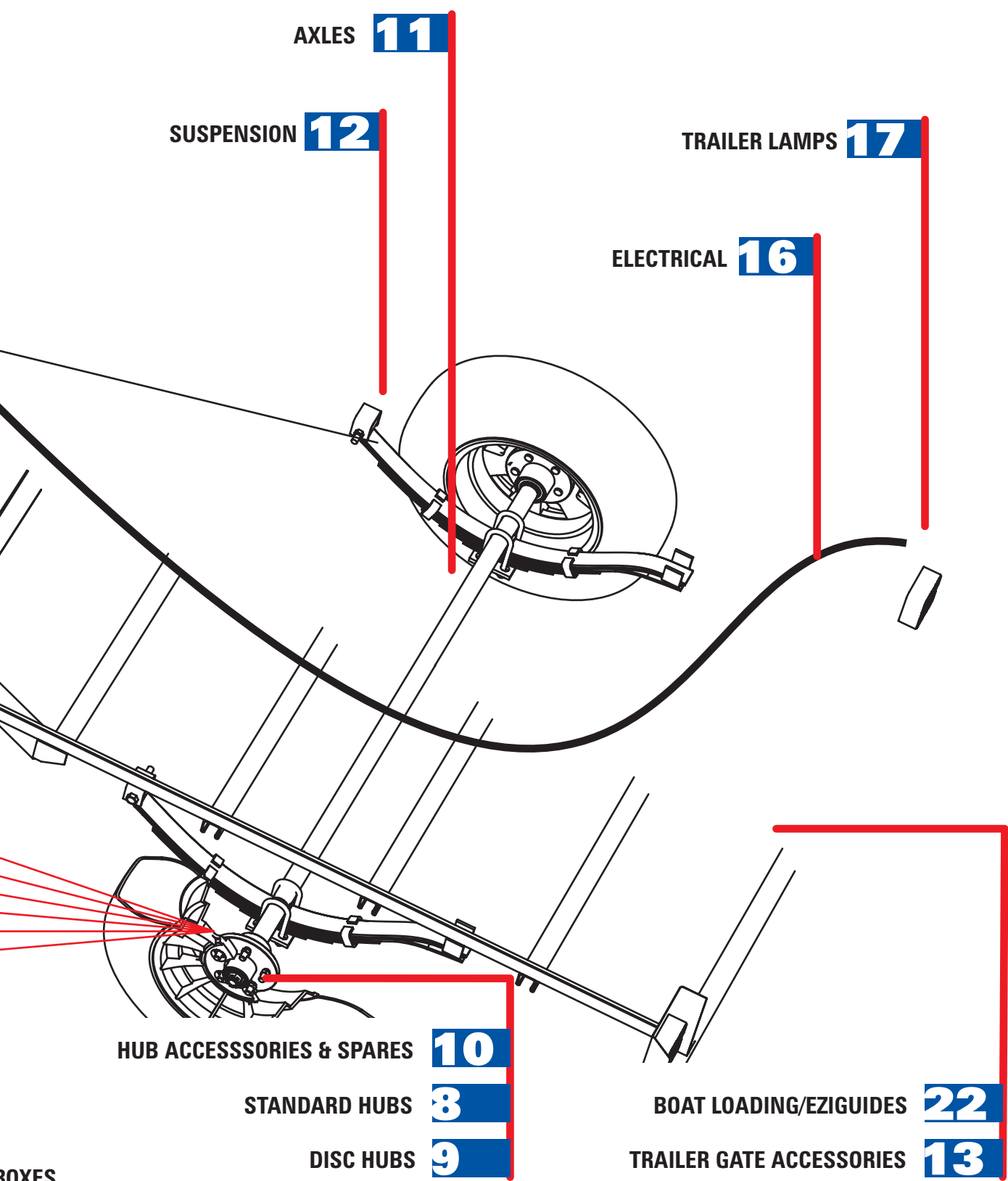
© 2007 ARK CORPORATION PTY LTD

Ark Corporation Pty Ltd  
[www.arkcorporation.com](http://www.arkcorporation.com)

[sales@arkcorporation.com](mailto:sales@arkcorporation.com)  
Phone: (02) 9678 9036

8 Smoothy Place  
Arndell Park NSW 2148





AXLES **11**

SUSPENSION **12**

TRAILER LAMPS **17**

ELECTRICAL **16**

HUB ACCESSORIES & SPARES **10**

STANDARD HUBS **8**

DISC HUBS **9**

BOAT LOADING/EZIGUIDES **22**

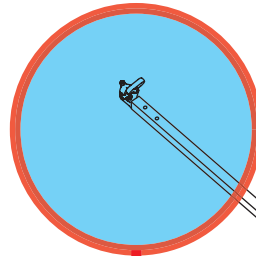
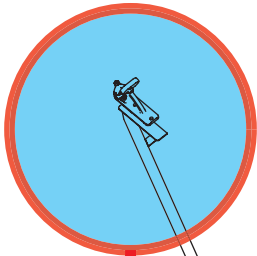
TRAILER GATE ACCESSORIES **13**

BOXES





## COUPLINGS 1000KGS -2000KGS



PLEASE SELECT THE COUPLING FOR YOUR REQUIREMENTS

### COUPLING

#### A632

1000kgs star nut coupling, with built in tongue support spring & safety locking device  
2 hole standard

### COUPLING

#### CAB22Z

2000kgs RHS coupling tapped to 1/2" BSW, with adjustable screw, with built in padlock facility  
zinc plated 2 hole standard

### COUPLING

#### CAS22Z

2000kgs quick release coupling, with adjustable screw, with built in padlock facility  
zinc plated 2 hole standard

### COUPLING MOUNTING BOLTS

#### CMB152B

hi tensile 1 1/2"x1/2" (2) BSW bolts & nyloc nuts

### COUPLING

#### CAS32Z

2000kgs quick release coupling, with adjustable screw, with built in padlock facility  
zinc plated 3 hole standard

### COUPLING MOUNTING BOLTS

#### CMB153B

hi tensile 1 1/2"x1/2" (3) BSW bolts & nyloc nuts



# BRAKES DISC/COUPLING MECHANICAL 2000KG

## DISC BRAKE CALIPER

**CM100G**

galvanised mechanical caliper, complete with pads, suits 1/2" and 5/8" disc hubs



## PLEASE SELECT MOUNTING PLATE FOR YOUR AXLE

### DISC BRAKE CALIPER MOUNTING PLATE

**MP39B**

Brake caliper mounting plate, centre type, suits 39mm round axle

### DISC BRAKE CALIPER MOUNTING PLATE

**MP40B**

Brake caliper mounting plate, centre type, suits 40mm square axle

### DISC BRAKE CALIPER MOUNTING PLATE

**MP45B**

Brake caliper mounting plate, centre type, suits 45mm square axle

PLEASE REFER TO DISC HUBS  
FOR YOUR HUB SELECTION

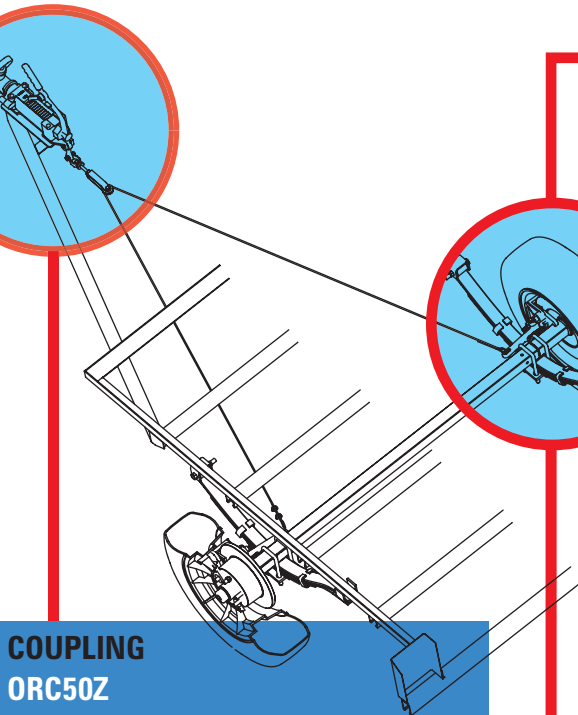
**9**



## ACCESSORIES & SPARES

**BCC04B**

brake cable clamps suitable for 4mm brake cable



## COUPLING

**ORC50Z**

2000Kgs mechanical override coupling, fitted with reverse lock and Padlock facility



## MECHANICAL ADAPTOR PLATE

**MBP50Z**

mechanical adaptor plate suits ORC50Z



## COUPLING MOUNTING BOLTS

**CMB44B**

hi tensile 4"x1/2" BSW bolts & nyloc nuts



## BRAKE CABLE ADJUSTER

**CA10B**

brake cable adjuster with combined pulley & turn buckle



## BRAKE CABLE & CLAMPS

**BCC4B**

8 metre x4mm -7x7 wire cable with 4 clamps



# BRAKES DISC/COUPLING MECHANICAL BOAT 2000KG

## DISC BRAKE CALIPER

### CM100G

galvanised mechanical caliper, complete with pads, suits 1/2" and 5/8" disc hubs



## PLEASE SELECT MOUNTING PLATE FOR YOUR AXLE

## DISC BRAKE CALIPER MOUNTING PLATE

### MP39GB

Brake caliper mounting plate, centre type, suits 39mm round axle

## DISC BRAKE CALIPER MOUNTING PLATE

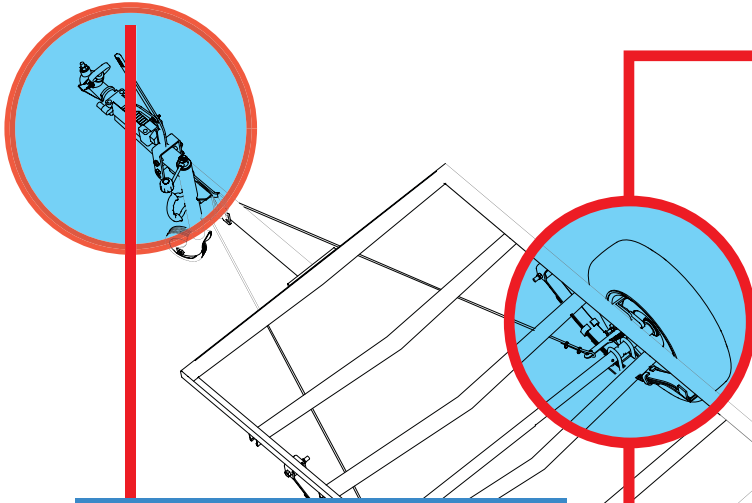
### MP40GB

Brake caliper mounting plate, centre type, suits 40mm square axle

## DISC BRAKE CALIPER MOUNTING PLATE

### MP45GB

Brake caliper mounting plate, centre type, suits 45mm square axle



## COUPLING

### ORC50Z

2000Kgs mechanical override coupling, fitted with reverse lock and Padlock facility



## MECHANICAL ADAPTOR PLATE

### BR50G

galv. override coupling brake arm suits ORC50Z



## BRAKE CABLE ADJUSTER

### CA10B

brake cable adjuster with combined pulley & turn buckle



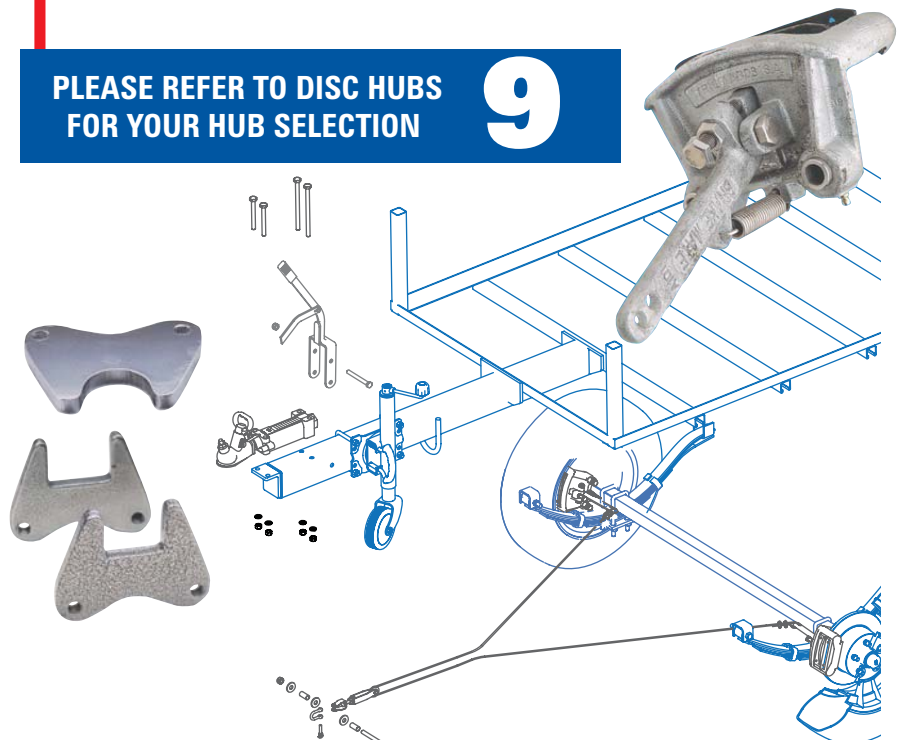
## BRAKE CABLE & CLAMPS

### BCC4B

8 metre x4mm -7x7 wire cable with 4 clamps

PLEASE REFER TO DISC HUBS FOR YOUR HUB SELECTION

# 9



## ACCESSORIES & SPARES

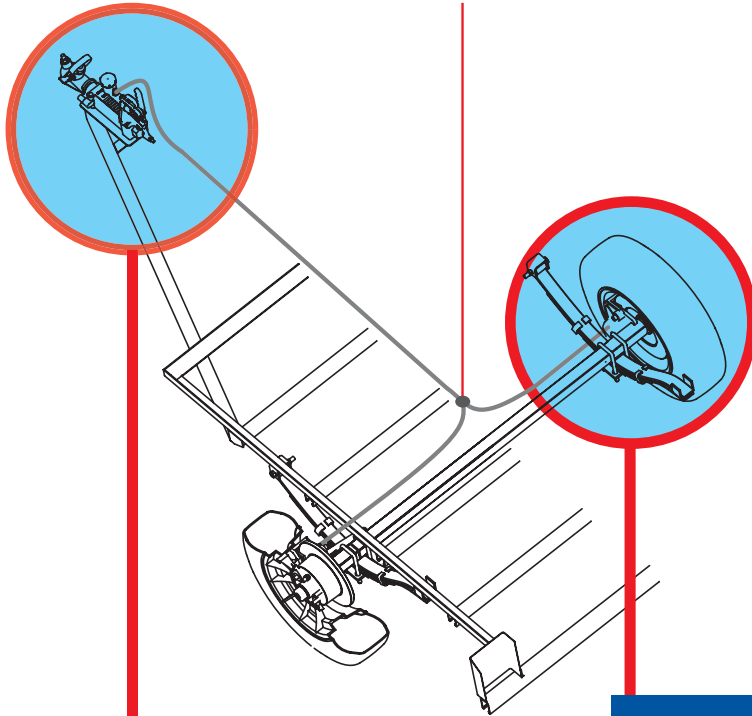
### BCC04B

brake cable clamps suitable for 4mm brake cable



# BRAKES/COUPLING HYDRAULIC DISC 2000KG

Please note  
hydraulic tubing/ T Connection/ fluid not supplied by Ark



## DISC BRAKE CALIPER

**CH200M**

galvanised hydraulic caliper, complete with pads,  
suits 1/2" and 5/8" disc hubs



## PLEASE SELECT MOUNTING PLATE FOR YOUR AXLE

### DISC BRAKE CALIPER MOUNTING PLATE

**MP39GB**

Brake caliper mounting plate, centre type, suits 39mm round axle

### DISC BRAKE CALIPER MOUNTING PLATE

**MP40GB**

Brake caliper mounting plate, centre type, suits 40mm square axle

### DISC BRAKE CALIPER MOUNTING PLATE

**MP45GB**

Brake caliper mounting plate, centre type, suits 45mm square axle

PLEASE REFER TO DISC HUBS  
FOR YOUR HUB SELECTION

**9**

## COUPLING

**ORC50Z**

2000Kgs mechanical override coupling,  
fitted with reverse lock and padlock facility



## HYDRAULIC BRACKET

**HBRM34Z**

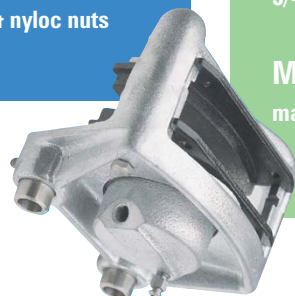
hydraulic bracket assembly fitted with  
3/4" master cylinder



## HYDRAULIC BRACKET

**CMB44B**

hi tensile 4" x 1/2" BSW bolts & nyloc nuts



## ACCESSORIES & SPARES

**MSK78**

7/8" master cylinder

**MSK34B**

3/4" master cylinder

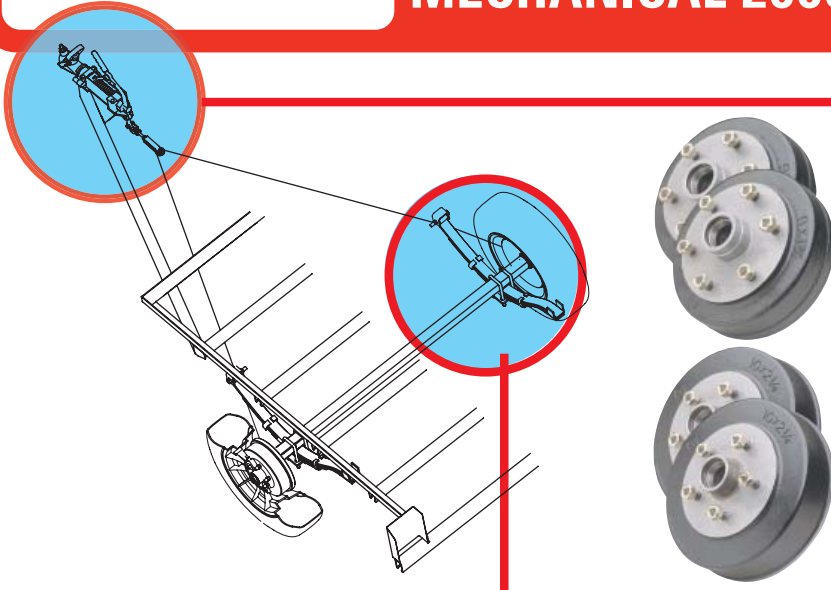
**MCC34B**

master cylinder cap





# BRAKES DRUM/COUPLING MECHANICAL 2000KG



**PLEASE REFER TO WHEEL  
HUB DRUM + BACKING PLATE + WELD RING  
FROM CHARTS BELOW  
FOR YOUR HUB SELECTION**

## COUPLING

### ORC50Z

2000Kgs mechanical override coupling, fitted with reverse lock and Padlock facility



## MECHANICAL ADAPTOR PLATE

### MBP50Z

mechanical adaptor plate suits ORC50Z



## COUPLING MOUNTING BOLTS

### CMB44B

hi tensile 4"x1/2" BSW bolts & nyloc nuts



## BRAKE CABLE ADJUSTER

### CA10B

brake cable adjuster with combined pulley & turn buckle



## BRAKE CABLE & CLAMPS

### BCC4B

8 metre x4mm -7x7 wire cable with 4 clamps

## PLEASE SELECT THE WHEEL HUB DRUMS FOR YOUR REQUIREMENTS

Part No	Size	Configuration
HD9X134HQ	9" x 1 3/4"	HQ Holden type studs & pattern, Holden type bearings, dust cap, seal & nuts
HD9X134HT	9" x 1 3/4"	HT Holden type studs & pattern, Holden type bearings, dust cap, seal & nuts
HD9X134FH	9" x 1 3/4"	Ford type studs & pattern, Holden type bearings, dust cap, seal & nuts
HD9X134LH	9" x 1 3/4"	Landcruiser type studs & pattern, Holden type bearings, dust cap, seal & nuts
HD9X134LF	9" x 1 3/4"	Landcruiser type studs & pattern, Ford type bearings, dust cap, seal & nuts

**NOTE WHEEL HUBS DRUM WITH BEARINGS SUPPLIED SUIT 39mm & 40mm AXLES**

## PLEASE SELECT THE BACKING PLATE FOR YOUR REQUIREMENTS

Part No	Size	Configuration
MBP90R	9"	Mechanical backing plate right-hand side
MBP90L	9"	Mechanical backing plate left-hand side

## PLEASE SELECT THE WELD RING FOR YOUR REQUIREMENTS

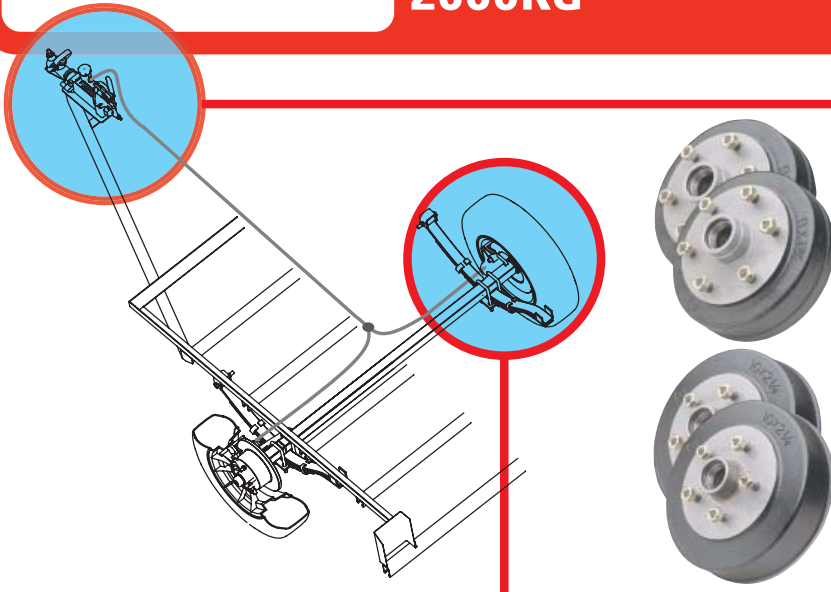
Part No	Axle Size	Configuration
WRM40R	40mm round	Suits 9" Mechanical backing plate
WRM40S	40mm square	Suits 9" Mechanical backing plate

AVAILABLE BY SPECIAL ORDER PLEASE ASK STAFF FOR ASSISTANCE





# BRAKES DRUM/COUPLING HYDRAULIC 2000KG



## COUPLING

### ORC50Z

2000Kgs mechanical override coupling, fitted with reverse lock and padlock facility



## HYDRAULIC BRACKET

### HBRM34Z

hydraulic bracket assembly fitted with 3/4" master cylinder



## COUPLING MOUNTING BOLTS

### CMB44B

hi tensile 4"x1/2" BSW bolts & nyloc nuts

**PLEASE REFER TO WHEEL HUB DRUM + BACKING PLATE + WELD RING FROM CHARTS BELOW FOR YOUR HUB SELECTION**

## PLEASE SELECT THE WHEEL HUB DRUMS FOR YOUR REQUIREMENTS

Part No	Size	Configuration
HD9X134HQ	9" x 1 3/4"	HQ Holden type studs & pattern, Holden type bearings, dust cap, seal & nuts
HD9X134HT	9" x 1 3/4"	HT Holden type studs & pattern, Holden type bearings, dust cap, seal & nuts
HD9X134FH	9" x 1 3/4"	Ford type studs & pattern, Holden type bearings, dust cap, seal & nuts
HD9X134LH	9" x 1 3/4"	Landcruiser type studs & pattern, Holden type bearings, dust cap, seal & nuts
HD9X134LF	9" x 1 3/4"	Landcruiser type studs & pattern, Ford type bearings, dust cap, seal & nuts

**NOTE WHEEL HUBS DRUM WITH BEARINGS SUPPLIED SUIT 39mm & 40mm AXLES**

## PLEASE SELECT THE BACKING PLATE FOR YOUR REQUIREMENTS

Part No	Size	Configuration
HBP90	9"	Hydraulic backing plate suits both left- hand & right-hand side

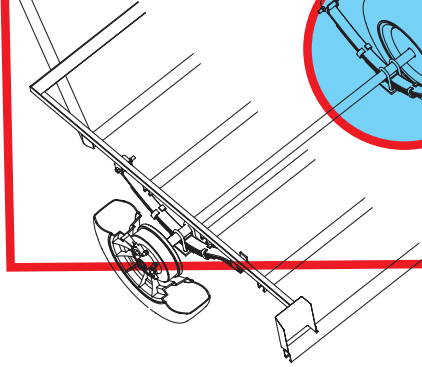
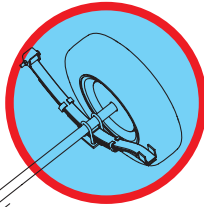
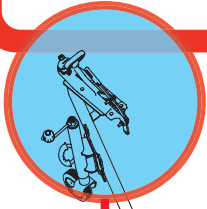
## PLEASE SELECT THE WELD RING FOR YOUR REQUIREMENTS

Part No	Axle Size	Configuration
WRH40R	40mm round	Suits 9" Hydraulic backing plate
WRH40S	40mm square	Suits 9" Hydraulic backing plate
WRH45S	45mm square	Suits 9" Hydraulic backing plate

AVAILABLE BY SPECIAL ORDER PLEASE ASK STAFF FOR ASSISTANCE



# BRAKES DRUM/COUPLING ELECTRIC 3500KG



**PLEASE REFER TO WHEEL HUB DRUM + BACKING PLATE + WELD RING FROM CHARTS BELOW FOR YOUR HUB SELECTION**

**COUPLING  
EC35Z**  
3500kgs electric coupling with adjustable screw & padlock facility

**COUPLING MOUNTING BOLTS  
CMB44B**  
hi tensile 4"x1/2" BSW bolts & nyloc nuts



## PLEASE SELECT THE WHEEL HUB DRUMS FOR YOUR REQUIREMENTS

Part No	Size	Configuration
HD10X2HQ	10" x 1 1/4"	HQ Holden type studs & pattern, Holden type bearings, dust cap, seal & nuts
HD10X2HT	10" x 2 1/4"	HT Holden type studs & pattern, Holden type bearings, dust cap, seal & nuts
HD10X2FH	10" x 2 1/4"	Ford type studs & pattern, Holden type bearings, dust cap, seal & nuts
HD10X2LH	10" x 2 1/4"	Landcruiser type studs & pattern, Holden type bearings, dust cap, seal & nuts
HD10X2LF	10" x 2 1/4"	Landcruiser type studs & pattern, Ford type bearings, dust cap, seal & nuts

**NOTE WHEEL HUBS DRUM WITH BEARINGS SUPPLIED SUIT 39mm & 40mm AXLES**

## PLEASE SELECT THE BACKING PLATE FOR YOUR REQUIREMENTS

Part No	Size	Configuration
EBP10R	10"	Electrical backing plate right-hand side, suits 10" hub drum
EBP10L	10"	Electrical backing plate left-hand side, suits 10" hub drum
EBP12R	12"	Electrical backing plate right-hand, suits 12" hub drum
EBP12L	12"	Electrical backing plate left-hand side, suits 12" hub drum

**NOTE 12" HUBS DRUMS NOT AVAILABLE FROM ARK AT THIS TIME**

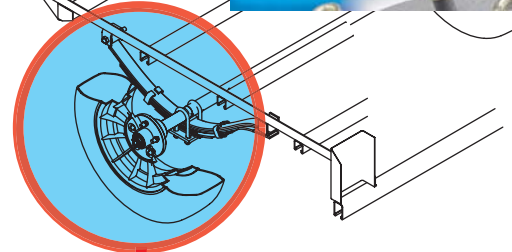
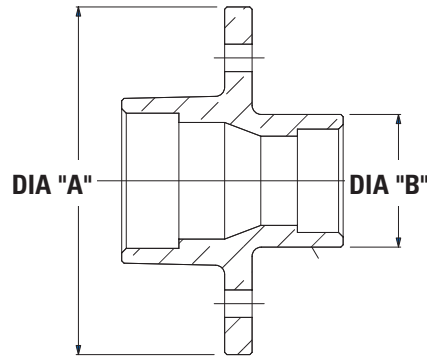
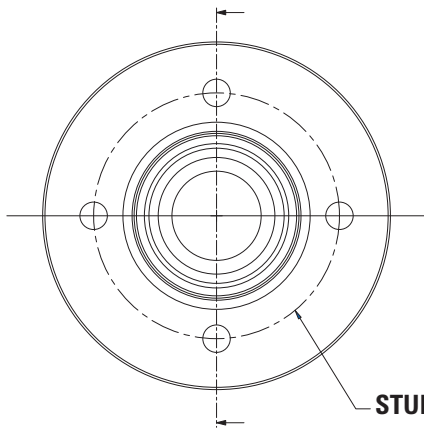
## PLEASE SELECT THE WELD RING FOR YOUR REQUIREMENTS

Part No	Axle Size	Configuration
WRM40R	40mm round	Suits 10" Electrical backing plate
WRM40S	40mm square	Suits 10" Electrical backing plate
WRE50S	50mm square	Suits 12" Electrical backing plate

AVAILABLE BY SPECIAL ORDER PLEASE ASK STAFF FOR ASSISTANCE



# STANDARD HUBS



## PLEASE SELECT THE HUB FOR YOUR REQUIREMENTS

**NOTE AXLE SELECTION WILL DETERMINE BEARING & HUB SELECTION**

Part No	Dia "A"(mm)	Dia "B" (mm)	Stud PCD	Studs	Bearing Large	Bearing Small	Seal Ø (mm)	Suit Axle(mm)
FD150D	152.0	56.0	114.40	5x1/2" UNF	L68149/10	LM12749/10	41.5	45
HQ150GD	152.0	56.0	120.75	5x7/16" UNF	LM67048/10	LM11949/10	36.0	39/40
HT150D	152.0	56.0	107.65	5x7/16" UNF	LM67048/10	LM11949/10	36.0	39/40
HT150D	152.0	56.0	107.65	5x7/16" UNF	LM67048/10	LM11949/10	36.0	39/40
HT140GD	142.0	56.0	107.65	5x7/16" UNF	LM67048/10	LM11949/10	36.0	39/40
TH150D	152.0	56.0	114.40	4x7/16" UNF	LM67048/10	LM11949/10	36.0	39/40
LH190D	190.5	56.0	139.80	6x1/2" UNF	LM67048/10	LM11949/10	36.0	39/40
LF190D	190.5	56.0	139.80	6x1/2" UNF	L68149/10	LM12749/10	41.5	45
FH150D	152.0	56.0	114.40	5x1/2" UNF	LM67048/10	LM11949/10	36.0	39/40
FH150GD	152.0	56.0	114.70	5x1/2" UNF	LM67048/10	LM11949/10	36.0	39/40

AVAILABLE BY SPECIAL ORDER PLEASE ASK STAFF FOR ASSISTANCE

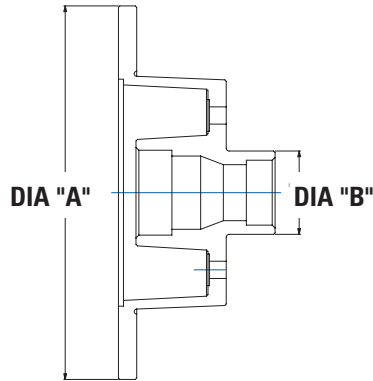
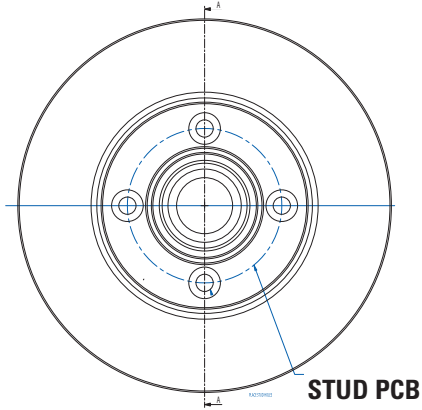
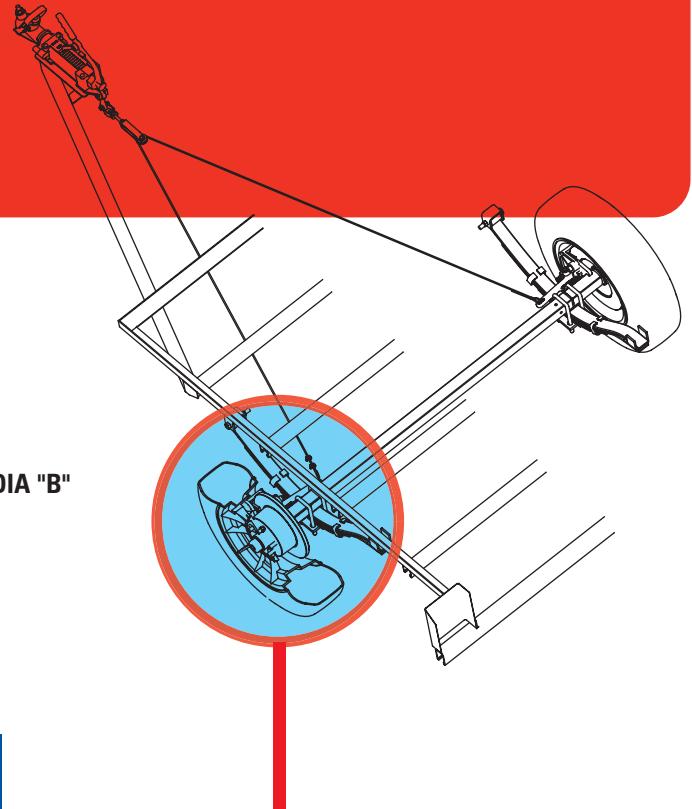
Part No	Dia "A"(mm)	Dia "B" (mm)	Stud PCD	Studs	Bearing Large	Bearing Small	Seal Ø (mm)	Suit Axle(mm)
GH150	152.0	53.7	100.00	4x7/16" UNF	LM67048/10	LM11949/10	36.0	39/40
HTF150	152.0	56.0	107.65	5x7/16" UNF	L68149/10	LM12749/10	41.5	45
HTF150	152.0	56.0	107.65	5x7/16" UNF	L68149/10	LM12749/10	41.5	45
HQF150	152.0	56.0	120.75	5x7/16" UNF	L68149/10	LM12749/10	41.5	45
CD150	152.0	56.0	120.75	5x7/16" UNF	LM67048/10	LM11949/10	36.0	39/40
CDF150	152.0	56.0	120.75	5x7/16" UNF	L68149/10	LM12749/10	41.5	45
LH190G	190.5	56.0	139.70	6x1/2" UNF	LM67048/10	LM11949/10	36.0	39/40
LF190G	190.5	56.0	139.70	6x1/2" UNF	L68149/10	LM12749/10	41.5	45



**HUB RATING= 1000kg PER PAIR FOR ALL HUBS TO SUIT 39/40mm AXLE  
& 1450kg PER PAIR FOR ALL HUBS TO SUIT 45mm AXLE**



# DISC HUBS



## PLEASE SELECT THE HUB FOR YOUR REQUIREMENTS

**NOTE :AXLE SELECTION WILL DETERMINE BEARING & HUB SELECTION**

Part No	Dia "A"(mm)	Dia "B" (mm)	Stud PCD	Studs	Bearing Large	Bearing Small	Seal Ø (mm)	Suit Axle(mm)
DH12FHD	260.0	58.0	114.40	5x1/2" UNF	LM67048/10	LM11949/10	36.0	39/40
DH12HQD	260.0	58.0	120.75	5x7/16" UNF	LM67048/10	LM11949/10	36.0	39/40
DH12HTD	260.0	58.0	107.65	5x7/16" UNF	LM67048/10	LM11949/10	36.0	39/40
DH12HTFD	260.0	58.0	107.65	5x7/16" UNF	L68149/10	LM12749/10	41.5	45
DH12HTFGD	260.0	58.0	107.65	5x7/16" UNF	L68149/10	LM12749/10	41.5	45

AVAILABLE BY SPECIAL ORDER PLEASE ASK STAFF FOR ASSISTANCE

Part No	Dia "A"(mm)	Dia "B" (mm)	Stud PCD	Studs	Bearing Large	Bearing Small	Seal Ø (mm)	Suit Axle(mm)
DH12FD	260.0	58.0	114.40	5x1/2" UNF	L68149/10	LM12749/10	41.5	45
DH12HQF	260.0	58.0	120.75	5x7/16" UNF	L68149/10	LM12749/10	41.5	45
DH12CD	260.0	58.0	120.75	5x7/16" UNF	LM67048/10	LM11949/10	36.0	39/40
DH12CDF	260.0	58.0	120.75	5x7/16" UNF	L68149/10	LM12749/10	41.5	45
DH58LF	297.0	58.0	120.75	6x1/2" UNF	L68149/10	LM12749/10	41.5	45
DH58LFG	297.0	58.0	120.75	6x1/2" UNF	L68149/10	LM12749/10	41.5	45



**HUB RATING= 1000kg PER PAIR FOR ALL HUBS TO SUIT 39/40mm AXLE  
& 1450kg PER PAIR FOR ALL , suits 12"hub drumHUBS TO SUIT 45mm AXLE**

**PLEASE NOTE  
USE DISC HUB MOUNTING PLATE MPL45 FOR MOUNTING BRAKE CALIPERS ON DH58 SERIES DISC HUBS**



# HUB ACCESSORIES & SPARES

## BEARING KITS

### BK32

trailer bearings kit Holden type  
bearings suit 39mm round & 40mm square axle  
kit consists of small & large bearings, seal, dust cover & split pin

### BK35

trailer bearings kit Ford type  
bearings (slimline) suit 45mm square axle  
kit consists of small & large bearings, seal, dust cover & split pin

## MARINE BEARING KITS

### MBK32

marine bearings kit Holden type  
bearings suit 39mm round & 40mm square axle  
kit consists of small & large bearings, waterproof seal & split pin

### MBK35

marine bearings kit Ford type  
bearings (slimline) suit 45mm square axle  
kit consists of small & large bearings, waterproof seal & split pin

## BEARING PROTECTORS

### PBP35B

impact resistant polycarbonate bearing protector  
set of 2

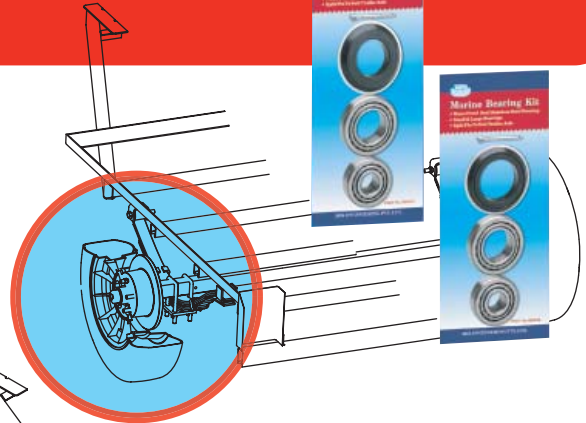
### MBP34B

chrome plated metal bearing protector  
set of 2

## DUST COVERS

### DC45B

zinc plated dust cover  
set of 2



## WHEEL STUDS

### ST12B

7/16" x 1 5/8" hub studs & nuts  
set of 5

### ST716B

1/2" x 1 5/8" hub studs & nuts  
set of 6



## DISC PADS

### DP1028B

disc pads  
set of 2



## TRAILER RESCUE

### TRF32

Holden type  
allows you to carry a spare wheel and a complete hub/disc hub assembly  
avoid being stranded with a flat tyre or seized bearings  
ready to be used easy to mount, multiple mounting positions, galvanised finish

### TRF35

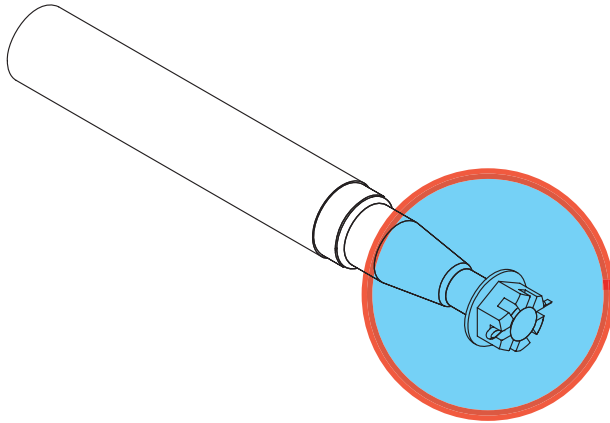
Ford type  
same as above



PLEASE REFER TO STANDARD OR DISC HUBS  
FOR YOUR HUB SELECTION



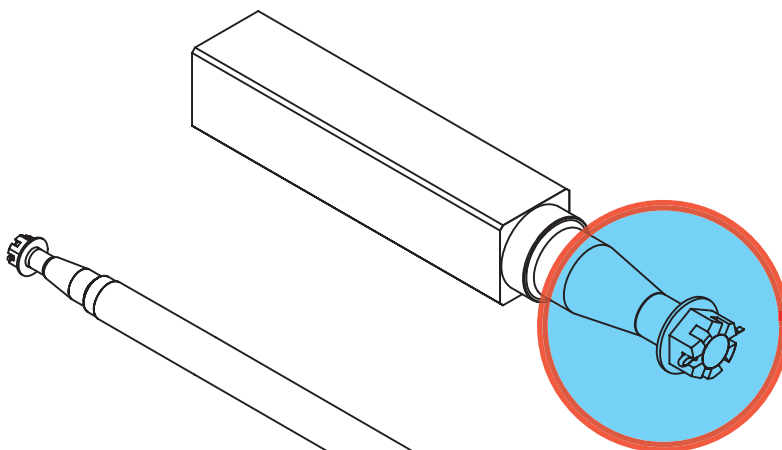
## AXLES



### STUB AXLE 39mm

#### SAX3910

39mm x 10" (254mm) round stub axle  
complete with castle nut, split pin & washer  
load rating 750kgs  
steel finish



### STUB AXLE 40mm

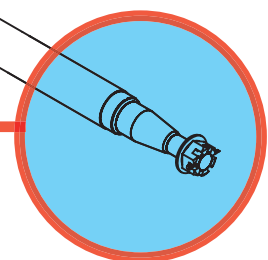
#### SAX4010

40mm x 10" (254mm) square stub axle  
complete with castle nut, split pin & washer  
load rating 750kgs  
steel finish

### AXLE 39mm

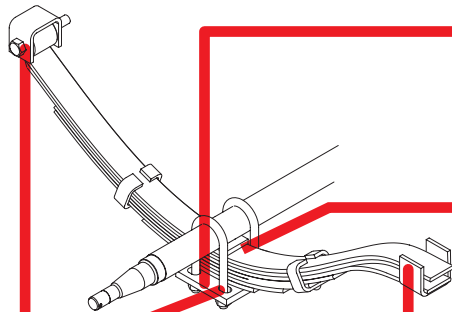
#### AX3964

39mm x 64" (1625mm) round axle  
complete with castle nuts, split pins & washers  
load rating 750kgs  
finish black





# SUSPENSION



**FISH PLATE**  
**FP3950GB**  
 suits U bolts from 39mm to 50mm  
 zinc plated

**SPRING PAD**  
**SP45GB**  
 40mm x 40mm spring pads  
 zinc plated  
 set of 2

**SPRING HANGER KIT**  
**SHK45GB**  
 front & rear spring hangers with  
 1/2" x3 1/2" bolt & nyloc nut  
 suits 45m slipper spring  
 zinc plated

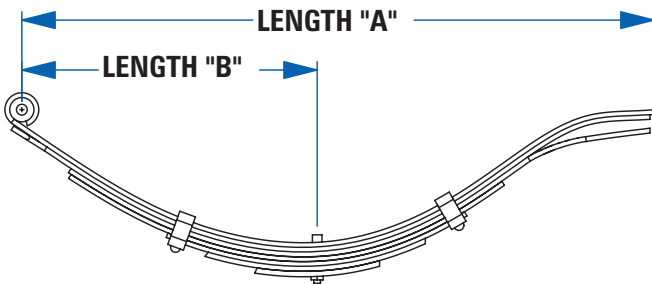
**PLEASE SELECT SPRING UBOLT  
 FOR YOUR AXLE**



**SPRING UBOLT**  
**UB39GB**  
 suits 39mm round axles & leaf & parabolic springs  
 39mm x 120mm with nyloc nuts  
 zinc plated  
 set of 2

**SPRING UBOLT**  
**UB40GB**  
 suits 40mm square axles & leaf & parabolic springs  
 40mm x 130mm with nyloc nuts  
 zinc plated  
 set of 2

**SPRING UBOLT**  
**UB45GB**  
 suits 45mm square axles & leaf & parabolic springs  
 45mm x 140mm with nyloc nuts  
 zinc plated  
 set of 2



## PLEASE SELECT THE SPRING FOR YOUR REQUIREMENTS

Part No	Description	Length "A" (mm)	Length "B" (mm)	Capacity (per pair)	Shackle Bolt Dia
SS313	45mm x 6mm x 3 leaf	770	325	600kg	1/2"
SS413	45mm x 6mm x 4 leaf	770	325	900kg	1/2"
SS513	45mm x 6mm x 5 leaf	770	325	1000kg	1/2"

Part No	Description	Length "A" (mm)	Length "B" (mm)	Capacity (per pair)	Shackle Bolt Dia
SS713G	45mm x 6mm x 3 leaf	770	325	600kg	1/2"
SS413G	45mm x 6mm x 4 leaf	770	325	900kg	1/2"
SS513G	45mm x 6mm x 5 leaf	770	325	1000kg	1/2"
SS713G	45mm x 6mm x 7 leaf	770	325	1350kg	1/2"
SS713	45mm x 6mm x 7 leaf	770	325	1350kg	1/2"

**GALVANISED FINISH**

AVAILABLE BY SPECIAL ORDER PLEASE ASK STAFF FOR ASSISTANCE



# TRAILER GATE ACCESSORIES

## TAILGATE CATCHES

### TGC60B

tailgate catches right & left sides  
zinc plated

PLEASE SELECT HINGES  
FOR YOUR REQUIREMENTS

## TAILGATE HINGES

### TGH50B

tailgate hinges 13mm dia x60mm  
zinc plated  
set of 2

## TAILGATE HINGES

### TGH100B

tailgate hinge 20mm diameter x100mm  
zinc plated  
set of 2

PLEASE SELECT LATCHES  
FOR YOUR REQUIREMENTS

## TAILGATE LATCHES

### TGAW19B

tail gate anti-rattle latches weld on type  
zinc plated  
set of 2

## TAILGATE LATCHES

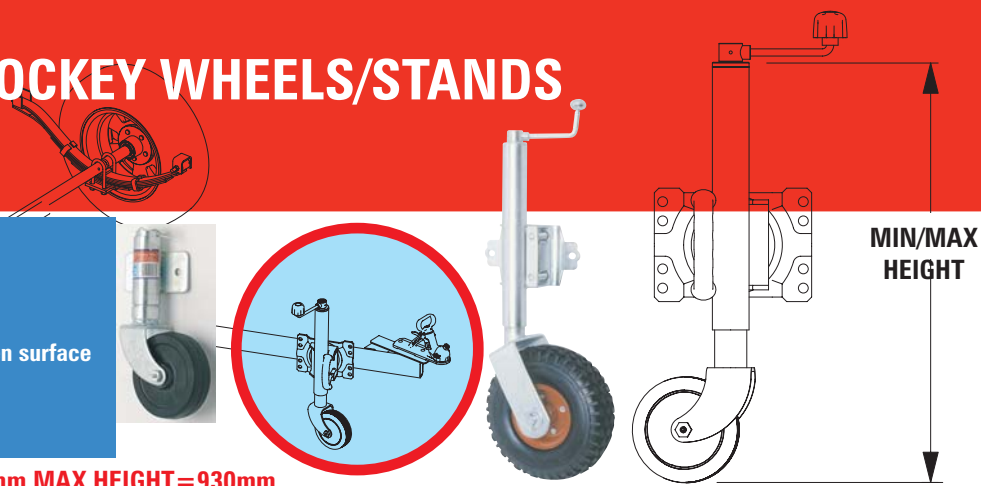
### TGAB19B

tail gate anti-rattle latches bolt on type with nyloc nuts  
zinc plated  
set of 2





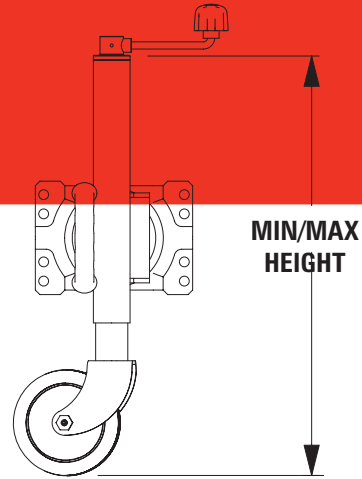
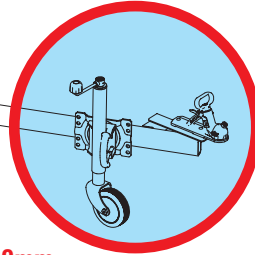
# JOCKEY WHEELS/STANDS



## RACKET JOCKEY WHEEL

### RJW10C

4 functions forward reverse stop lock  
capable of manoeuvring upto 2 tonne on an even surface  
with minimum effort  
solid wheel  
ubolt bracket mount



**LOAD RATING 350KGS MIN HEIGHT =670mm MAX HEIGHT=930mm**

Part No	Description	6" JOCKEY WHEEL	Wheel Dia (mm)
JWBN6	boat wheel assembly complete with bracket		150 (6")
JWN6	standard wheel		150 (6")
JWN6C	standard wheel with bolt or weld on clamp		150 (6")
JWN6SU	standard wheel & locking swivel U-bolt bracket		150 (6")

**LOAD RATING 350KGS MIN HEIGHT =550mm MAX HEIGHT=800mm**

Part No	Description	8" JOCKEY WHEEL	Wheel Dia (mm)
JWN8	steel rimmed rubber wheel		200 (8")
JWN8SU	steel rimmed solid rubber wheel with bolt or weld on clamp		200 (8")

**LOAD RATING 350KGS MIN HEIGHT =600mm MAX HEIGHT=850mm**

Part No	Description	10" JOCKEY WHEEL	Wheel Dia (mm)
JWN10	steel rimmed solid rubber wheel		200 (8")
JWN10SU	steel rimmed rubber solid rubber wheel & locking swivel U-bolt bracket		200 (8")

**LOAD RATING 350KGS MIN HEIGHT =650mm MAX HEIGHT=900mm**

Part No	Description	JOCKEY STANDS
JSN35	top winding no clamp	
JSN35SU	top winding with locking swivel bracket	

**LOAD RATING 350KGS MIN HEIGHT =400mm MAX HEIGHT=650mm**

## ACCESSORIES & SPARES

### FCL50

fixed clamp suits JWN6C JWN8C JWN10C JSN35C RJW10C

### NW6B

150mm (6") solid wheel

### SW8

8" solid rubber wheel with steel rim to suit 8" jockey series

### SW10

10" solid rubber wheel with steel rim to suit 10" jockey series

### UBB50

fixed 8 hole p ubolt clamp

### IN10B

10" pneumatic tube

### HDL50B

jockey wheel handle suit all types

### UB2B

U bolts 3" x 2" with nuts & spring washers, suits 75x50mm drawbars zinc plated, set of 2

### UB3B

U bolts 3" x 3" with nuts & spring washers, suits 75x75mm drawbars zinc plated, set of 2

### UB4B

U bolts 4" x 2" with nuts & spring washers, suits 100x50mm drawbars zinc plated, set of 2

AVAILABLE BY SPECIAL ORDER PLEASE ASK STAFF FOR ASSISTANCE



# HEAVY DUTY JOCKEY WHEELS

**NEW  
PRODUCT  
RANGE**

STEEL RIM

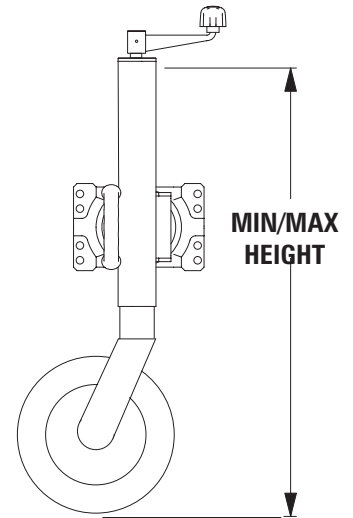
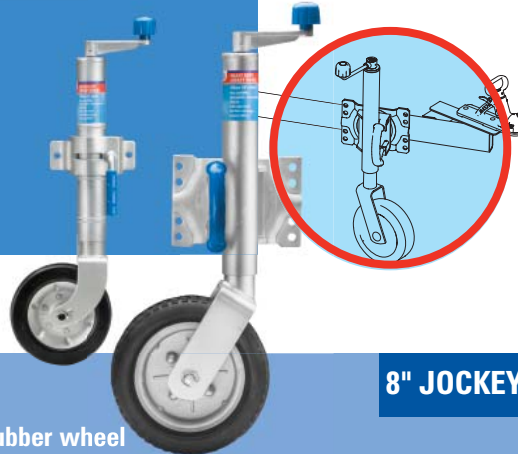
LONG LIFE SOLID RUBBER WHEEL

SUPERIOR DACROMET RUST RESISTANT FINISH

Easy Grip comfort handles

Max. Load 500Kg

Extension 250mm



Part No	Description	8" JOCKEY WHEEL	Wheel Dia (mm)
JW8CHD	steel rimmed rubber wheel		200 (8")
JW8SHD	steel rimmed rubber wheel		200 (8")
JW8SUHD	steel rimmed rubber wheel		200 (8")

**LOAD RATING 500KGS MIN HEIGHT = 600mm MAX HEIGHT = 850mm**

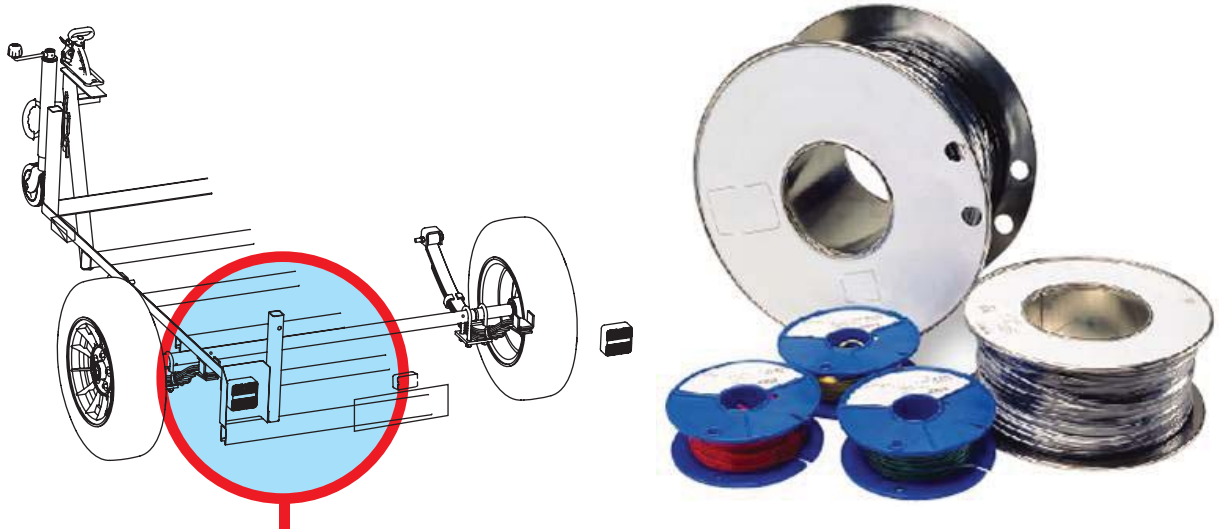
Part No	Description	10" JOCKEY WHEEL	Wheel Dia (mm)
JW10CHD	steel rimmed solid rubber wheel		250 (10")
JW10SHD	steel rimmed solid rubber wheel		250 (10")
JW10SUHD	steel rimmed solid rubber wheel		250 (10")

**LOAD RATING 500KGS MIN HEIGHT = 650mm MAX HEIGHT = 900mm**





# ELECTRICAL



## ELECTRICAL CABLE

Part No	Description	Current Rating	Length (M)
12603B	4mm x 26 strand electrical cable, single core, black	15	30
12603R	4mm x 26 strand electrical cable single core, red	15	30
21603F/30	3mm x 16 strand electrical cable, 2 core, figure 8, black	10	30
21603S/30	4mm x 26 strand electrical cable, 2 core, sheathed, black	15	30
22603F/30	4mm x 26 strand electrical cable, 2 core, figure 8, black	15	30
57032/30	2mm x 7 strand electrical cable, 5 core, black	4	30
77032/30	2mm x 7 strand electrical cable, 7 core, black	4	30

## ELECTRICAL TRAILER CABLE

Part No	Description	Current Rating	Length (M)
55D	5 core electrical trailer cable in display bag	4	5
710D	7 core electrical trailer cable in display bag	4	10
FC7B	7 core flat electrical trailer cable	4	1.5

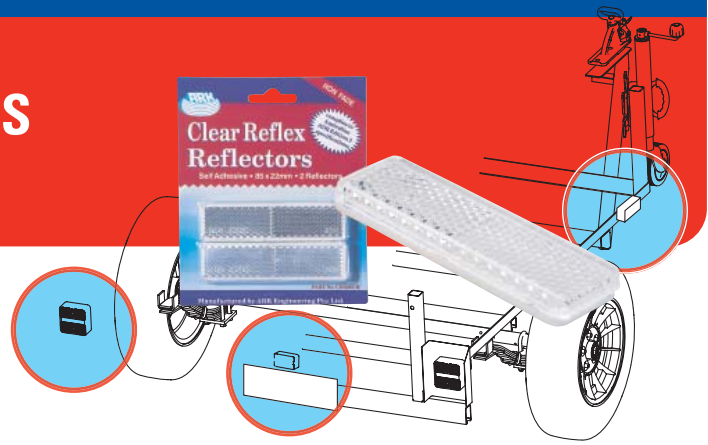
**RATED AT 4A**

## ELECTRICAL WIRE CLIPS

Part No	Description	Quantity
B250	2.5mm wire clips core electrical trailer cable in display bag	12



# TRAILER LAMPS



Part No	Description	REAR COMBINATION LAMP
TL984B	rear combination lamp, 5 functions (stop, tail, licence plate, indicator, inbuilt reflector) acrylic lens, complete with 12v bayonet globes, wire connectors & mounting hardware	<b>COMPLIES WITH ADR 6/00, 47/00, 48/00, 49/00</b>
TLL984B	replacement polycarbonate lens to suit TL984B	

Part No	Description	NUMBER PLATE LAMP
NPL75B	licence plate lamp, with 12v festoon globes	<b>COMPLIES WITH ADR 48/00</b>

Part No	Description	REFLEX REFLECTORS
AR2285B	amber reflex reflector 22x 85mm self adhesive, set of 2	<b>ALL COMPLY WITH ADR 47/00</b>
CR2285B	clear reflex reflector 22x 85mm self adhesive, set of 2	
RAR2285B	red & amber reflex reflector 22x 85mm self adhesive, set of 2 each	
RR2285B	red reflex reflector 22x 85mm self adhesive, set of 2	

Part No	Description	TRAILER BOARDS
TRB15	1.5 metre trailer light board, 8 metre cable connected to 7 pin small round plug	<b>ALL COMPLY WITH ADR 6/00, 47/00, 48/00, 49/00</b>
TRB15F	1.5 metre trailer light board, 8 metre cable connected to 7 pin flat plug	
TRB15L	1.5 metre trailer light board, 8 metre cable connected to 7 pin large round plug	
TRB185	1.85 metre trailer light board, 8 metre cable connected to 7 pin small round plug	
TRB185F	1.85 metre trailer light board, 8 metre cable connected to 7 pin flat plug	
TRB185L	1.85 metre trailer light board, 8 metre cable connected to 7 pin large round plug	

Part No	Description	SUBMERSIBLE LAMP
ASS99B	submersible light lamp, 100% waterproof, high impact resistance 5 functions (stop, tail, licence plate, indicator, inbuilt reflector) acrylic lens, complete with 12v bayonet globes, wire connectors & stainless steel mounting hardware set of 2	<b>COMPLIES WITH ADR 6/00, 47/00, 48/00, 49/00</b>

Part No	Description	MAGNETIC TOW LAMP
MLK984	magnetic tow lamp kit, 2 combination lamps with powerful magnets, with 8 metre cable connected to 7 pin round plug. lamp tilts up to 90 degrees, galvanised mounting brackets, ideal for use on towed vehicles available in heavy duty carry case	<b>COMPLIES WITH ADR 6/00, 47/00, 48/00, 49/00</b>



# TRAILER PLUGS (TRAILER SIDE)



## TRAILER PLUGS (TRAILER SIDE)

Part No	Pin	Configuration	Construction
FPB7	7	flat	plastic
LMP7B	7	large round	metal
PB70	7	small round	plastic
LPP7B	7	large round	plastic
MP70B	7	small round	metal
MP60B	6	small round	metal
PB60	6	small round	plastic
LMP5B	5	large round	metal
LPP5B	5	large round	plastic

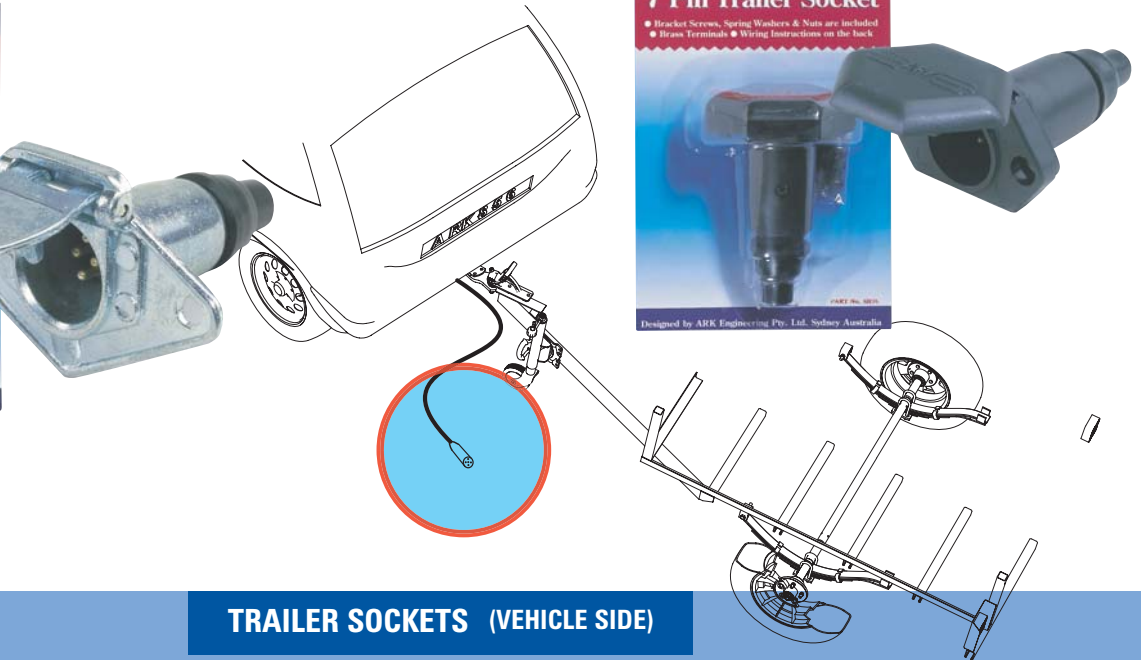
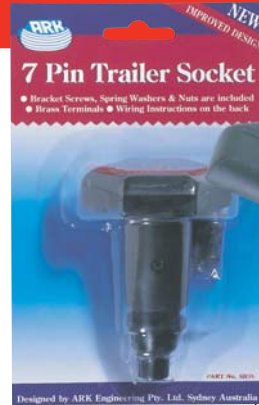
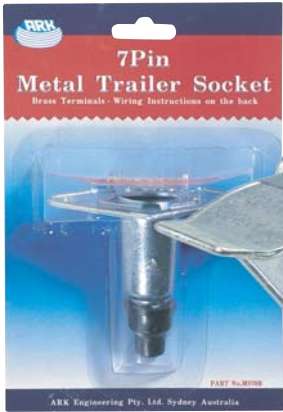
## TRAILER PLUGS ACCESSORIES

Part No	Configuration	Construction
PHB7	flat plug holder in poly bag	metal with fasteners





# TRAILER SOCKETS (VEHICLE SIDE)



## TRAILER SOCKETS (VEHICLE SIDE)

Part No	Pin	Configuration	Construction
FSB7	7	flat	plastic
LMS7B	7	large round	metal
LPS7B	7	large round	plastic
MS70B	7	small round	metal
SB70	7	small round	plastic
MS60B	6	small round	metal
SB60	6	small round	plastic
LMS5B	5	large round	metal
LPS5B	5	large round	plastic

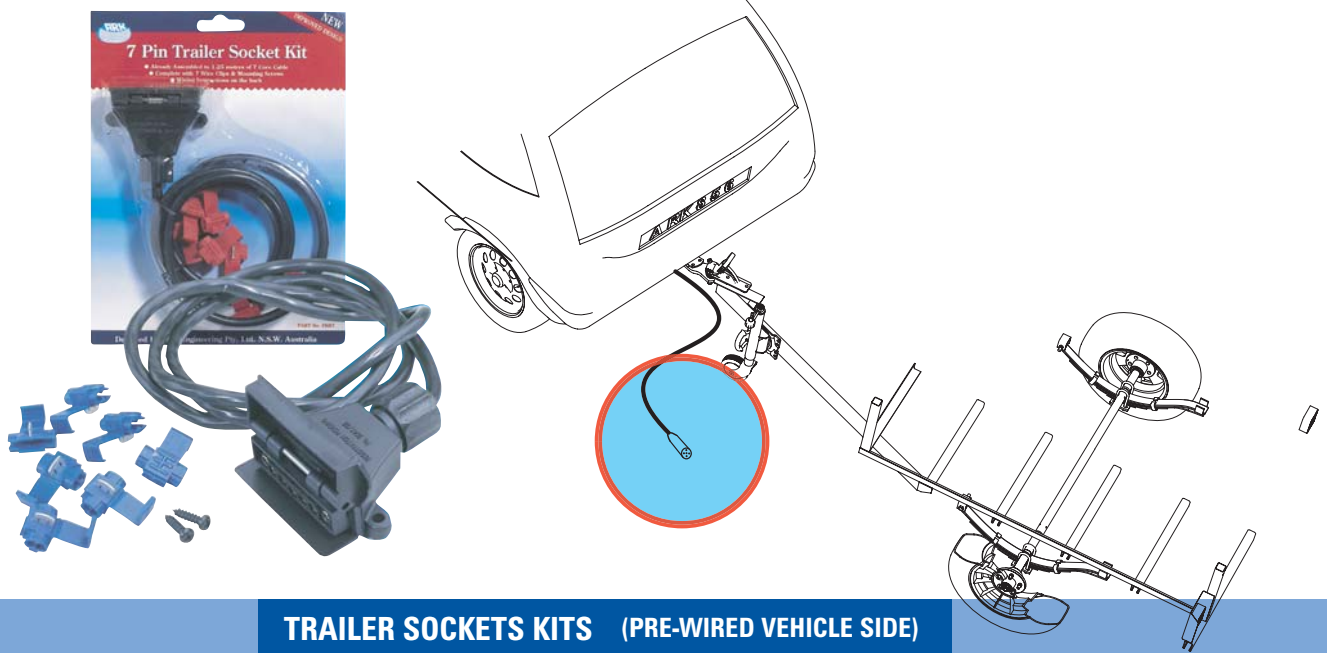
## TRAILER SOCKET ACCESSORIES

Part No	Configuration	Construction
B90	suits small round plastic socket	angle mounting bracket
MB90	suits small round metal socket	angle mounting bracket
LB90B	suits large round socket	angle mounting bracket
B360	suits small round plastic socket	angle mounting bracket
LC360B	suits large round socket	flat mounting bracket





# TRAILER SOCKETS KITS (PRE-WIRED VEHICLE SIDE)



## TRAILER SOCKETS KITS (PRE-WIRED VEHICLE SIDE)

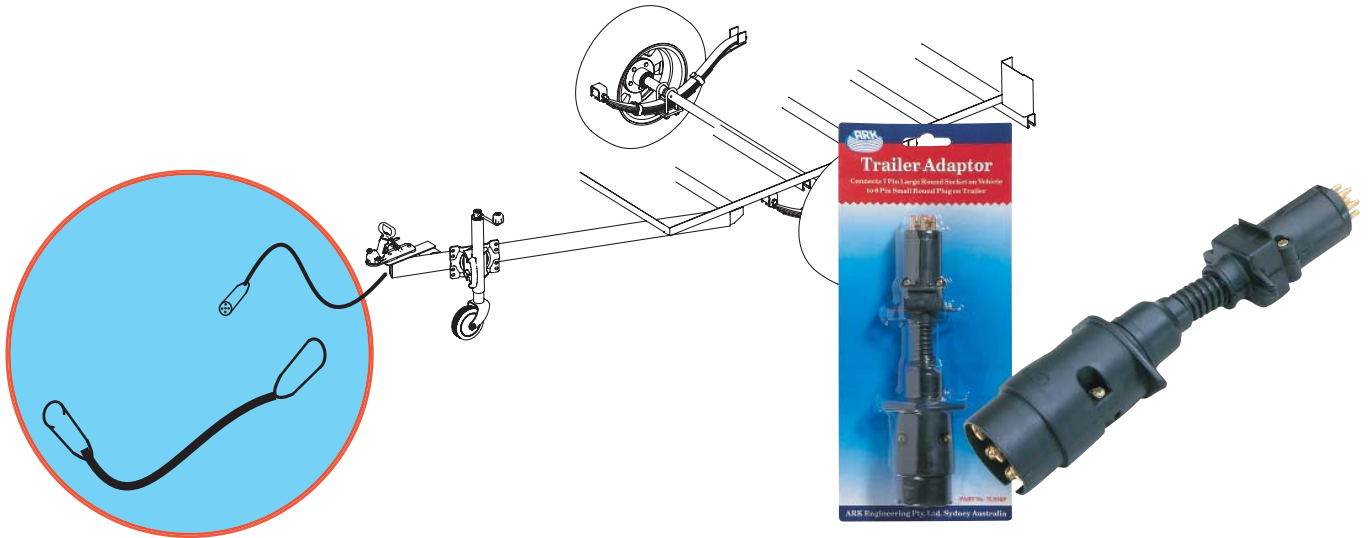
Part No	Pin	Configuration	Cable
BSF7B	7	flat	1.25 metre flat cable
FKB7	7	flat	1.25 metre round cable
BSL7B	7	large round	1.25 metre flat cable
SKB70	7	large round	1.25 metre round cable
BSS7B	7	small round	1.25 metre flat cable
SKB60	7	small round	1.25 metre round cable

**ALL SOCKET KITS SUPPLIED WITH 7 WIRE CLIPS AND MOUNTING SCREWS**





# TRAILER ADAPTORS



## SOCKET VEHICLE SIDE

## TRAILER ADAPTORS

## PLUG TOWING SIDE

Part No	Pin	Configuration	Pin	Configuration
5LS27LP	5	large round	7	large round
5LS2FP	5	large round	7	flat
6S27LP	6	small round	7	large round
6S27P	6	small round	7	small round
6S2FP	6	small round	7	flat
7LS25LP	7	large round	5	large round
7LS26P	7	large round	6	small round
7LS27P	7	large round	7	small round
7LS2FP	7	large round	7	flat
7S26P	7	small round	6	small round
7S27LP	7	small round	7	large round
7S2FP	7	small round	7	flat
FS25LP	7	flat	5	large round
FS26P	7	flat	6	small round
FS27LP	7	flat	7	large round
FS27P	7	flat	7	small round







## BOAT LOADING/ EZIGUIDES



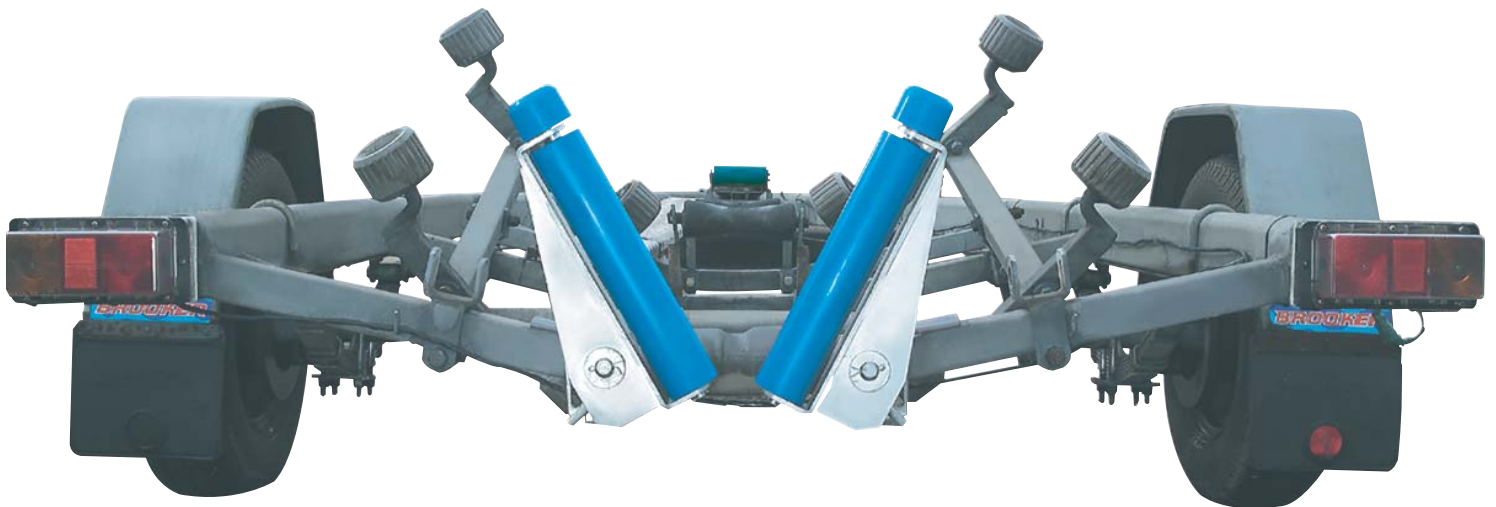
PLEASE SELECT THE EZIGUIDE FOR YOUR REQUIREMENTS

### BOAT LOADING EZIGUIDE

Part No	Power Boats
EG8	3.6 to 4.4 metres (12 to 14')
EG10	4.2 to 4.8 metres (14 to 16')
EG11	4.8 to 6.0 metres (16 to 20')
EG13	6.0 to 8.5 metres (20 to 28')

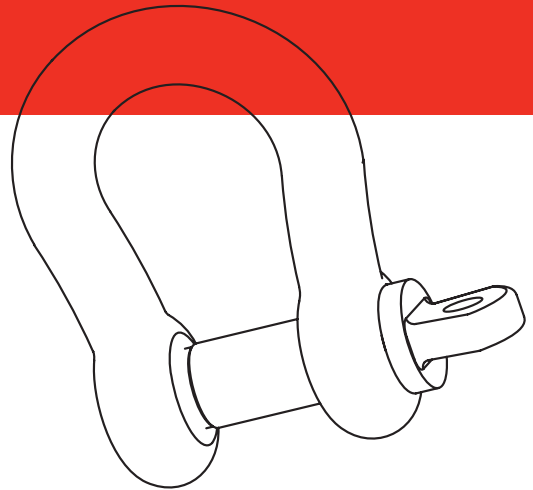
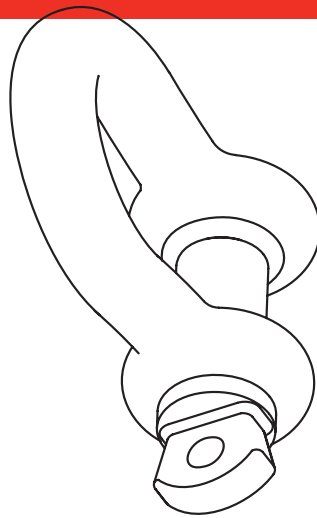
AVAILABLE BY SPECIAL ORDER PLEASE ASK STAFF FOR ASSISTANCE

**The EZIGUIDE will simplify launching & loading and will always guide your boat safety to the centre of your trailer**





# SHACKLES



## SHACKLES

Part No	Size (mm)	Configuration	Construction	LoadRating (kg)
BSS06B	6	bow	stainless steel	100
BSS08B	8	bow	stainless steel	200
BSS10B	10	bow	stainless steel	320
DSG06B	6	dee	steel galvanised	100
DSG08B	8	dee	steel galvanised	200
DSG10B	10	dee	steel galvanised	320
DSG12B	12	dee	steel galvanised	520
DSG16B	16	dee	steel galvanised	800
DSS06B	6	dee	stainless steel	100
DSS08B	8	dee	stainless steel	200
DSS10B	10	dee	stainless steel	320
DSS12B	12	dee	stainless steel	800



# SECURITY LOCKS



## PLEASE SELECT THE COUPLING LOCK FOR YOUR REQUIREMENTS

### TRAILER COUPLING LOCKS

Part No	Configuration
ATL15	heavy duty 2 position trailer locking system, secures trailer attached & unattached to vehicle complete with inbuilt lock, chrome finish
ATL115	heavy duty 2 position trailer locking system, secures trailer attached & unattached to vehicle complete with inbuilt lock includes hitch pin lock prevents tow bar hitch from theft one key fits both lock, chrome finish
CPL10	heavy duty trailer locking system, secures trailer attached & unattached to vehicle complete with padlock, zinc finish

**NOTE: NOT RECOMMENDED FOR USE WHEN TOWING**



## PLEASE SELECT TRAILER HITCH PIN LOCK FOR YOUR REQUIREMENTS

### TRAILER HITCH PIN LOCKS

Part No	Configuration
HP80	hitch pin with "R" clip, suits 2"x2" class 4 hitch receiver from 65mm to 80mm, chrome finish
PL80B	hitch pin with lock, slimline design, dual purpose can be used with or without lock suits 2"x2" class 4 hitch receiver from 65mm to 80mm, chrome finish
PLS80B	hitch pin with lock, square lock design, dual purpose can be used with or without lock suits 2"x2" class 4 hitch receiver from 65mm to 80mm, chrome finish



**LOAD RATING 3500KGS**



# TOW BALL/COVERS/PROTECTORS



## TOW BALLS

Part No	Shaft Diameter	Ball Diameter (mm)	Construction	Towing Capacity (kgs)
STB35B	7/8"	50	stainless steel	3500
TB178C	7/8"	1 7/8"	steel chrome	2000
TB35BB	7/8"	50	steel black	3500
TB35CB	7/8"	50	steel chrome	3500
TB5080C	7/8"	50	steel chrome	2500

## TOW BALL COVERS

Part No	Package	Construction
PBC50B	blister	black plastic with spring clips suits 50mm & 1 7/8" tow balls
PBC50D	loose	black plastic with spring clips suits 50mm & 1 7/8" tow balls
PCC50B	blister	chrome with spring clips suits 50mm & 1 7/8" tow balls
PCC50D	loose	chrome with spring clips suits 50mm & 1 7/8" tow balls
PVC50D	loose	black pvc suits 50mm & 1 7/8" tow balls

## TOW BALLS & COVER PACKS

Part No	Shaft Diameter	Ball Diameter (mm)	Construction	Towing Capacity (kgs)
BCS50	7/8"	50	steel black tow ball + black plastic tow ball cover & shin protector	3500

## SHIN PROTECTOR

Part No	Package	Construction
TP11	loose	soft rubber black shin protector fits securely over tow bar tongue
TPB11	blister	soft rubber black shin protector fits securely over tow bar tongue

## HITCH RECEIVER COVER

Part No	Construction
HCC80B	chrome hitch receiver cover with hinged lid fastens permanently over all 50mm hitches

## TOW BALL SPANNER

Part No	Construction
TBS41B	towball spanner locates onto towball nuts with added hitch bolt & shackle tighener/looser slots , zinc plated





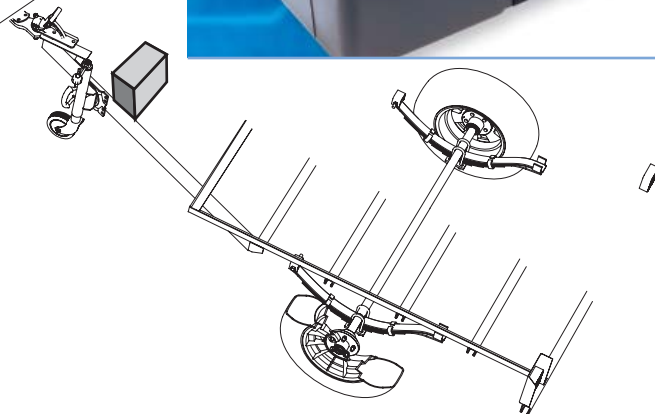
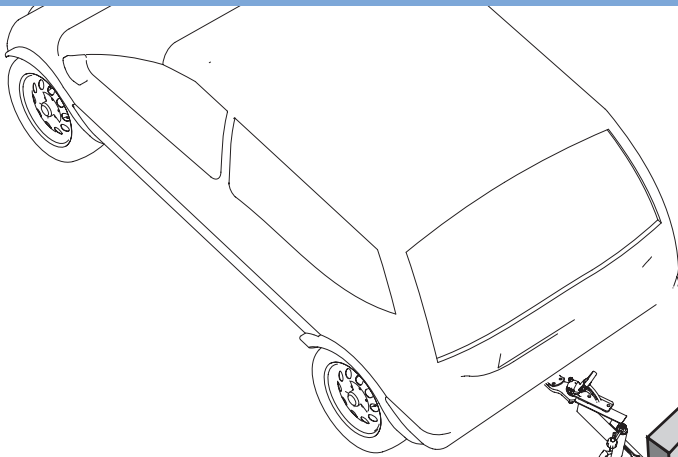
# BATTERY BOXES



PLEASE SELECT THE BATTERY BOX FOR YOUR REQUIREMENTS

## BATTERY BOXES

Part No	Configuration	Dimensions (mm)
BB27	standard battery box, complete with webbing tie down strap, mounting hardware	W180xL275xH200
BB32	large battery box, complete with webbing tie down strap, mounting hardware	W185xL325xH200
PBB32	power battery box, accessory socket, circuit breaker, external terminals complete with adjustable tie down strap, mounting hardware	W185xL325xH185





## NOTES



## NOTES

